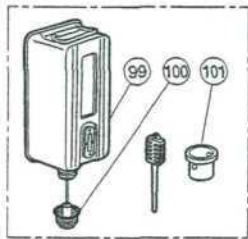


# MONITOR 2200 SERVICE PARTS LIST

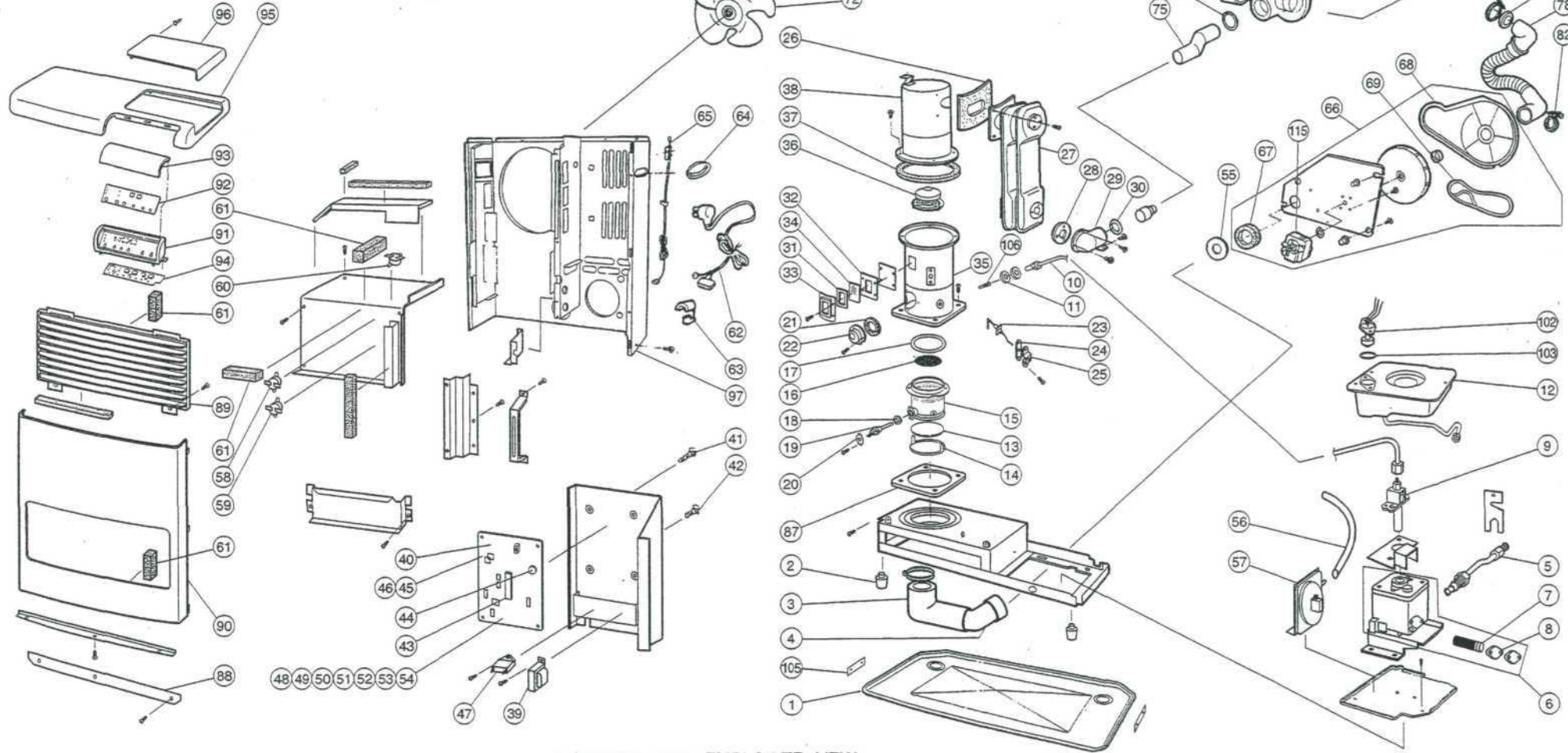
## MONITOR 2200 SERVICE PARTS LIST

ITEM NO.	PART NO.	DESCRIPTION	ITEM NO.	PART NO.	DESCRIPTION
1	6740	SPILL TRAY	58	6759	OVER HEAT THERMOSTAT A
2	5019	ADJUSTABLE LEG	59	6761	OVER HEAT THERMOSTAT B
3	6741	AIR SUPPLY HOSE(A)	60	6762	FAN THERMOSTAT
4	6102	AIR SUPPLY HOSE(B)	61	6763	AIR PACKING SET
5	6742	FUEL PIPE	62	6706	POWER SUPPLY CORD
6	6469	CONSTANT LEVEL VALVE only 1998 441/422	63	4833	STRAIN RELIEF BUSHING
7	6470	C.L.V. STRAINER 1998 441/422	64	6707	CARRYING HANDLE
8	6471	STRAINER GASKET 1998 441/422	65	6708	SENSOR ASSY
9	6744	SOLENOID PUMP	66	6764	COMBUSTION BLOWER ASSY
10	6745	OIL SUMP PIPE	67	6141	BLOWER MOUTH PACKING
11	6164	JOINT SEAL PACKING	68	6766	SUCTION CASE
12	6746	FUEL SUMP	69	6144	SEAL PACKING
13	6747	GASKET(1)	70	6261	BLOWER GUARD
14	6748	GASKET(1)RETAINING PLATE	71	6767	CIRCULATION MOTOR
15	6749	BURNER	72	6768	FAN BLADE
16	6750	BURNER CLOTH	73	6263	WIRING GUARD
17	6358	ROPE GASKET	74	6769	WIRING HARNESS FOR FAN MOTOR
18	6115	GASKET(3)	75	4004	VENT CONNECTOR
19	6277	HEATER(IGNITER)	76	6209	AIR DAMPER(S)
20	6402	IGNITER BRACKET	77	6770	AIR DAMPER(E)
21	6117	HEATER COVER PACKING	78	6145	AIR SUPPLY HOSE ASSY
22	6191	IGNITER COVER	79	4014	EXHAUST OUTLET C.A.P
23	6751	FLAME DETECTIVE PLUG	80	4016	AIR PORT O RING
24	6119	PLUG PACKING	81	4006	PIPE HOLDER
25	6196	FL PLUG BRACKET	82	4008	HOSE BAND
26	6120	GASKET(4)	83	4805	AIR OUTLET CAP
27	6752	HEAT EXCHANGER ASSY	84	8050	FLUE PIPE A/B
28	6122	GASKET(6)	85	6723	SLEEVE NUT
29	6123	EXHAUST DUCT	86	6148	SLEEVE FLANGE SET
30	6176	O-RING(P39)	87	6806	GASKET(7)
31	6124	WINDOW GASKET	88	6771	UNDER COVER
32	6125	WINDOW FRAME GASKET	89	6772	LOUVER
33	6786	WINDOW PLATE	90	6773	FRONT COVER
34	6069	WINDOW GLASS	91	6774	PLASTIC BUTTON PANEL
35	6753	BURNER CHAMBER ASSY	92	6775	LAMP PANEL
36	6754	COMBUSTION RING ASSY	93	6776	CONTROL COVER
37	6130	CHAMBER GASKET	94	6716	SWITCH&LAMP ASSY
38	6755	COMBUSTION CHAMBER ASSY	95	6777	TOP COVER
39	6702	POWER TRANSFORMER	96	6778	FUEL TANK COVER
40	6756	PWB ASSY	97	6779	CABINET ASSY
41	6134	PWB SPACER CLIP(A)	98	6194	BODY CLAMP
42	6135	PWB SPACER CLIP(B)	99	6760	Optional CAPSULE TANK KIT
43	6757	MICROPROCESSOR	100	6179	FUEL TANK CAP
44	6733	BUZZER	101	6177	OIL FILTER
45	6172	FUSE(250V,10A)	102	6780	FLOAT SWITCH
46	6173	FUSE(250V,2A)	103	6781	FLOAT SWITCH PACKING
47	6901	FAN CAPACITOR(1.8uF)(For Reference Only)	104	6345	UNION NUT
48	6187	TR ARRAY(M54563P)IC10(For Reference Only)	105	6782	BASE TRAY RETAINER
49	6254	RELAY RL1(For Reference Only)	106	6783	FUEL NOZZLE
50	6255	TRIAC(Q1)(For Reference Only)	107	6197	SCREW SET FOR FLUE PIPE
51	6257	PHOTO TRIAC(IC3)(For Reference Only)	108	6784	CARTON BOX
52	6700	PHOTO TRIAC(IC4)(For Reference Only)	109	6785	CUSHION SET
53	6701	PHOTO TRIAC(IC5)(For Reference Only)	110	1120	OWNERS GUIDE
54	6204	PHOTO COUPLER(IC6)(For Reference Only)	111	8216	TOUCH-UP PAINT(WHITE)
55	6758	BLOWER DAMPER	112	8217	GLUE
56	6819	AIR LINE A	113	6722	TOUCH-UP PAINT(M2400 GREY)
57	6703	AIR PRESSURE SWITCH	114	6735	Cabinet Screw Assortment
			115	6765	BLOWER MOTOR



Optional Capsule Tank Kit

- 74 Wiring Harness For Fan Motor
- 107 Screw Set for Flue Pipe
- 108 Carton Box
- 109 Cushion Set
- 110 Owners Guide
- 111 Touch-up Paint (White)
- 112 Glue
- 113 Touch-up Paint (Grey)
- 114 Cabinet Screw Assortment



MONITOR 2200 EXPLODED VIEW